


**SPECIFICATIONS**

**Features/Benefits**

- 1.2 gpm(4.5 L/min) Maximum Flow Rate @60 psi
- Laminar Flow
- Ceramic Disc Cartridge
- Includes Metal Pop-Up Drain Assembly
- 5" Spout Height, 4 1/4" Spout Length
- 3 Hole Mount, 4"-12" Installation

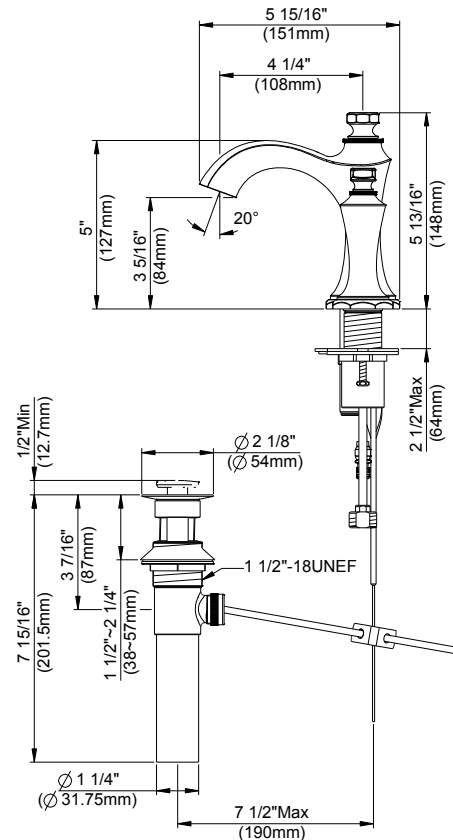
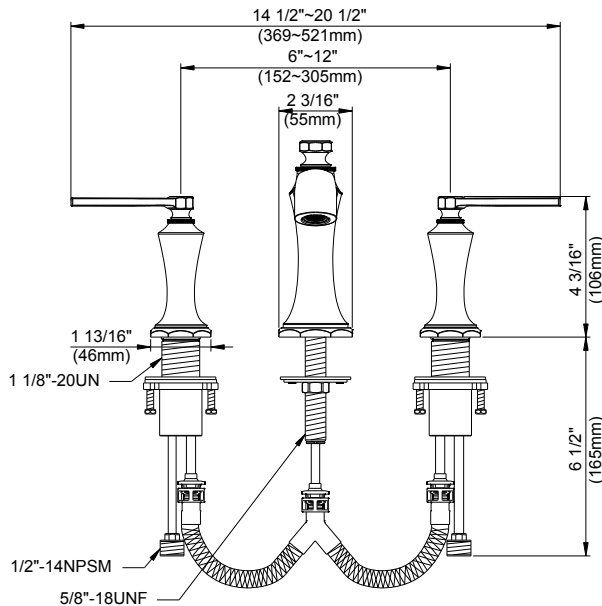


**Available Color/Finishes**

Color	Description
	Chrome

Please see danze.com or current price list for available finishes.  
Finish is defined by additional suffix.

**Standards & Certifications**



**Submittal Information:**

Name: \_\_\_\_\_  
Location: \_\_\_\_\_

Contractor: \_\_\_\_\_  
Contact #: \_\_\_\_\_